



**OPERATOR'S MANUAL
MANUEL de L'UTILISATEUR
MANUAL del OPERADOR**



**Cat. No.
No de cat.
Cat. No.
5378-20
5378-21**

**1/2" HAMMER-DRILL
PERCEUSES À PERCUSSION 13 mm (1/2")
13 mm (1/2") TALADRO-MARTILLO**

*TO REDUCE THE RISK OF INJURY, USER MUST READ OPERATOR'S MANUAL.
AFIN DE RÉDUIRE LE RISQUE DE BLESSURES, L'UTILISATEUR DOIT LIRE LE
MANUEL DE L'UTILISATEUR.
PARA REDUCIR EL RIESGO DE LESIONES, EL USUARIO DEBE LEER EL MANUAL
DEL OPERADOR.*

GENERAL SAFETY RULES — FOR ALL POWER TOOLS



WARNING

READ ALL INSTRUCTIONS

Failure to follow all instructions listed below may result in electric shock, fire and/or serious injury. The term "power tool" in all of the warnings listed below refers to your mains-operated (corded) power tool or battery-operated (cordless) power tool.

SAVE THESE INSTRUCTIONS

WORK AREA SAFETY

1. **Keep work area clean and well lit.** Cluttered or dark areas invite accidents.
2. **Do not operate power tools in explosive atmospheres, such as in the presence of flammable liquids, gases, or dust.** Power tools create sparks which may ignite the dust or fumes.
3. **Keep children and bystanders away while operating a power tool.** Distractions can cause you to lose control.

ELECTRICAL SAFETY

4. **Power tool plugs must match the outlet. Never modify the plug in any way. Do not use any adapter plugs with earthed (grounded) power tools.** Unmodified plugs and matching outlets will reduce risk of electric shock.
5. **Avoid body contact with earthed or grounded surfaces such as pipes, radiators, ranges and refrigerators.** There is an increased risk of electric shock if your body is earthed or grounded.
6. **Do not expose power tools to rain or wet conditions.** Water entering a power tool will increase the risk of electric shock.
7. **Do not abuse the cord. Never use the cord for carrying, pulling, or unplugging the power tool. Keep cord away from heat, oil, sharp edges, or moving parts.** Damaged or entangled cords increase the risk of electric shock.
8. **When operating a power tool outdoors, use an extension cord suitable for outdoor use.** Use of a cord suitable for outdoor use reduces the risk of electric shock.

PERSONAL SAFETY

9. **Stay alert, watch what you are doing and use common sense when operating a power tool. Do not use a power tool while you are tired or under the influence of drugs, alcohol or medication.** A moment of inattention while operating power tools may result in serious personal injury.
10. **Use safety equipment. Always wear eye protection.** Safety equipment such as dust mask, non-skid safety shoes, hard hat, or hearing protection used for appropriate conditions will reduce personal injuries.
11. **Avoid accidental starting. Ensure the switch is in the off-position before plugging in.** Carrying tools with your finger on the switch or plugging in power tools that have the switch on invites accidents.
12. **Remove any adjusting key or wrench before turning the power tool on.** A wrench or a key left attached to a rotating part of the power tool may result in personal injury.
13. **Do not overreach. Keep proper footing and balance at all times.** This enables better control of the power tool in unexpected situations.
14. **Dress properly. Do not wear loose clothing or jewellery. Keep your hair, clothing and gloves away from moving parts.** Loose clothes, jewellery, or long hair can be caught in moving parts.
15. **If devices are provided for the connection of dust extraction and collection facilities, ensure these are connected and properly used.** Use of these devices can reduce dust-related hazards.

POWER TOOL USE AND CARE

16. **Do not force the power tool. Use the correct power tool for your application.** The correct power tool will do the job better and safer at the rate for which it was designed.
17. **Do not use the power tool if the switch does not turn it on and off.** Any power tool that cannot be controlled with the switch is dangerous and must be repaired.
18. **Disconnect the plug from the power source and/or the battery pack from the power tool before making any adjustments, changing accessories, or storing power tools.** Such preventive safety measures reduce the risk of starting the tool accidentally.
19. **Store idle power tools out of the reach of children and do not allow persons unfamiliar with the power tools or these instructions to operate power tools.** Power tools are dangerous in the hands of untrained users.
20. **Maintain power tools. Check for misalignment or binding of moving parts, breakage of parts and any other condition that may affect the power tool's operation. If damaged, have the power tool repaired before use.** Many accidents are caused by poorly maintained power tools.
21. **Keep cutting tools sharp and clean.** Properly maintained cutting tools with sharp cutting edges are less likely to bind and are easier to control.
22. **Use the power tool, accessories and tool bits etc., in accordance with these instructions and in the manner intended for the particular type of power tool, taking into account the working conditions and the work to be performed.** Use of the power tool for operations different from those intended could result in a hazardous situation.

SERVICE

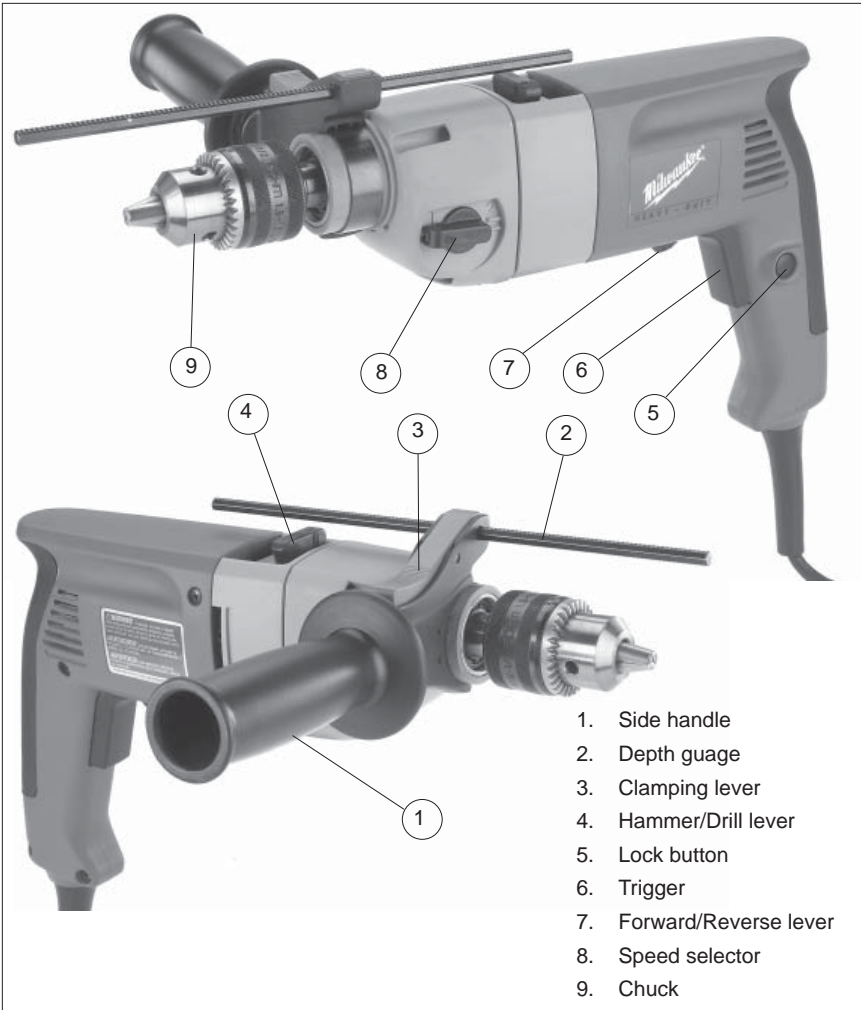
23. **Have your power tool serviced by a qualified repair person using only identical replacement parts.** This will ensure that the safety of the power tool is maintained.

SPECIFIC SAFETY RULES

1. **Hold tool by insulated gripping surfaces when performing an operation where the cutting tool may contact hidden wiring or its own cord.** Contact with a "live" wire will make exposed metal parts of the tool "live" and shock the operator.
2. **Wear ear protectors when using the tool for extended periods.** Prolonged exposure to high intensity noise can cause hearing loss.
3. **Keep hands away from all cutting edges and moving parts.**
4. **Maintain labels and nameplates.** These carry important information. If unreadable or missing, contact a MILWAUKEE service facility for a free replacement.
5. **WARNING!** Some dust created by power sanding, sawing, grinding, drilling, and other construction activities contains chemicals known to cause cancer, birth defects or other reproductive harm. Some examples of these chemicals are:
 - lead from lead-based paint
 - crystalline silica from bricks and cement and other masonry products, and
 - arsenic and chromium from chemically-treated lumber.

Your risk from these exposures varies, depending on how often you do this type of work. To reduce your exposure to these chemicals: work in a well ventilated area, and work with approved safety equipment, such as those dust masks that are specially designed to filter out microscopic particles.

FUNCTIONAL DESCRIPTION



Specifications

Tool					Capacities	
					Drill Only (steel or wood)	Rotary Hammer (concrete)
Cat. No.	Volts AC	A	No Load RPM	No Load Blows per Minute	Twist Drill Bit	Carbide Tipped Percussion Bit
5378-20 and 5378-21	120	7.5	Low 0 - 1350 High 0 - 2500	22,000 40,000	1/2" - 1-1/2"	5/8"

GROUNDING



WARNING

Improperly connecting the grounding wire can result in the risk of electric shock. Check with a qualified electrician if you are in doubt as to whether the outlet is properly grounded. Do not modify the plug provided with the tool. Never remove the grounding prong from the plug. Do not use the tool if the cord or plug is damaged. If damaged, have it repaired by a MILWAUKEE service facility before use. If the plug will not fit the outlet, have a proper outlet installed by a qualified electrician.

Grounded Tools: Tools with Three Prong Plugs

Tools marked "Grounding Required" have a three wire cord and three prong grounding plug. The plug must be connected to a properly grounded outlet (See Figure A). If the tool should electrically malfunction or break down, grounding provides a low resistance path to carry electricity away from the user, reducing the risk of electric shock.

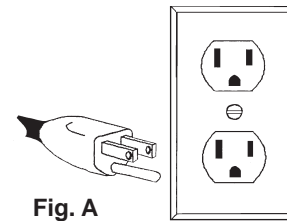


Fig. A

The grounding prong in the plug is connected through the green wire inside the cord to the grounding system in the tool. The green wire in the cord must be the only wire connected to the tool's grounding system and must never be attached to an electrically "live" terminal.

Your tool must be plugged into an appropriate outlet, properly installed and grounded in accordance with all codes and ordinances. The plug and outlet should look like those in Figure A.

Double Insulated Tools: Tools with Two Prong Plugs

Tools marked "Double Insulated" do not require grounding. They have a special double insulation system which satisfies OSHA requirements and complies with the applicable standards of Underwriters Laboratories, Inc., the Canadian Standard Association and the National Electrical Code. Double Insulated tools may be used in either of the 120 volt outlets shown in Figures B and C.

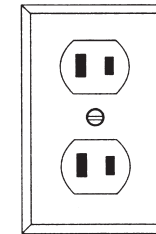


Fig. B

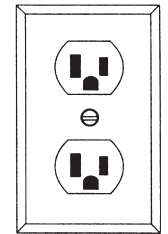


Fig. C

Symbology

	Double Insulated	BPM	Blows per Minute (BPM)
	Underwriters Laboratories, Inc.	$V \sim$	Volts Alternating Current
A	Amps	$n_0 \text{ XXXX min.}^{-1}$	No Load Revolutions per Minute (RPM)
	Canadian Standards Association	NOM-ANCE	Mexican Approvals Marking

EXTENSION CORDS

Grounded tools require a three wire extension cord. Double insulated tools can use either a two or three wire extension cord. As the distance from the supply outlet increases, you must use a heavier gauge extension cord. Using extension cords with inadequately sized wire causes a serious drop in voltage, resulting in loss of power and possible tool damage. Refer to the table shown to determine the required minimum wire size.

The smaller the gauge number of the wire, the greater the capacity of the cord. For example, a 14 gauge cord can carry a higher current than a 16 gauge cord. When using more than one extension cord to make up the total length, be sure each cord contains at least the minimum wire size required. If you are using one extension cord for more than one tool, add the nameplate amperes and use the sum to determine the required minimum wire size.

Guidelines for Using Extension Cords

- If you are using an extension cord outdoors, be sure it is marked with the suffix "W-A" ("W" in Canada) to indicate that it is acceptable for outdoor use.
- Be sure your extension cord is properly wired and in good electrical condition. Always replace a damaged extension cord or have it repaired by a qualified person before using it.
- Protect your extension cords from sharp objects, excessive heat and damp or wet areas.

Recommended Minimum Wire Gauge for Extension Cords*

Nameplate Amperes	Extension Cord Length				
	25'	50'	75'	100'	150'
0 - 2.0	18	18	18	18	16
2.1 - 3.4	18	18	18	16	14
3.5 - 5.0	18	18	16	14	12
5.1 - 7.0	18	16	14	12	12
7.1 - 12.0	16	14	12	10	
12.1 - 16.0	14	12	10		
16.1 - 20.0	12	10			

* Based on limiting the line voltage drop to five volts at 150% of the rated amperes.

READ AND SAVE ALL INSTRUCTIONS FOR FUTURE USE.

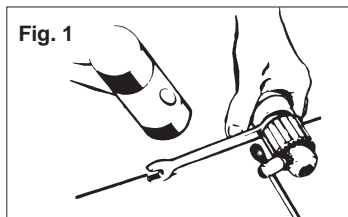
TOOL ASSEMBLY



WARNING

To reduce the risk of injury, always unplug tool before attaching or removing accessories or making adjustments. Use only specifically recommended accessories. Others may be hazardous.

Removing the Chuck (Fig. 1)



1. Open the chuck jaws fully.
2. Remove the screw inside the chuck head. This is a left hand screw, turn clockwise to remove.
3. Hold the spindle with a wrench (Fig. 1).
4. Insert the drill chuck key inside chuck and loosen clockwise by tapping lightly with a rubber hammer.

NOTE: To mount the chuck, reverse the instructions above.

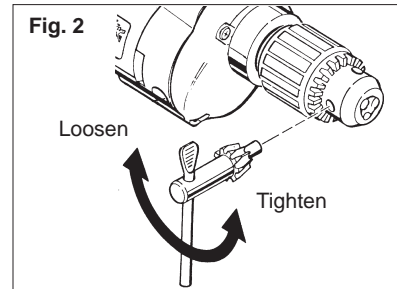


WARNING

To prevent personal injury, always remove the chuck key from the chuck after each use.

Installing Bits into Keyed Chucks (Fig. 2)

Be sure that the shank of the bit and the chuck jaws are clean. Dirt particles may cause the bit to line up improperly. Do not use bits larger than the maximum recommended capacity of the drill because gear damage or motor overloading may result. For best performance, be sure that the bits are properly sharpened before use.



1. Unplug the tool.
2. Open the chuck jaws wide enough to insert a bit. Allow the bit to strike the bottom of the chuck. Center the bit in the chuck jaws and tighten the jaws by hand to align the bit.
3. Place the chuck key into each of the three holes in the chuck, turning it clockwise to tighten the chuck securely.
4. To remove the bit, insert the chuck key into one of the holes in the chuck and turn it counterclockwise.

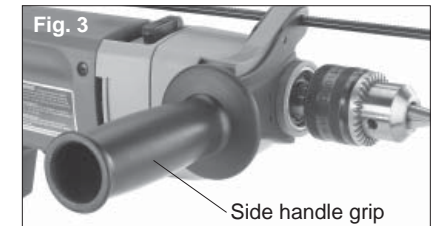
NOTE: Never use a wrench or means other than a chuck key to tighten or loosen the chuck.



WARNING

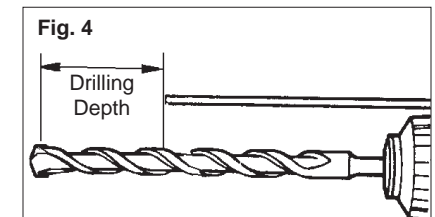
To reduce the risk of injury, always use a side handle when using this tool. Always brace or hold securely.

Adjusting the Side Handle Position (Fig. 3)



1. Loosen the side handle by unscrewing the side handle grip until the side handle rotates freely.
2. Rotate the side handle to the desired position.
3. Tighten the side handle grip securely.

Setting the Depth Gauge (Fig. 4)



1. Press in the clamping lever.
2. Slide the depth gauge rod backward or forward until it is set for the desired depth.
3. Release the clamping lever.

NOTE: The drilling depth is the distance between the tip of the bit and the tip of the depth gauge rod.

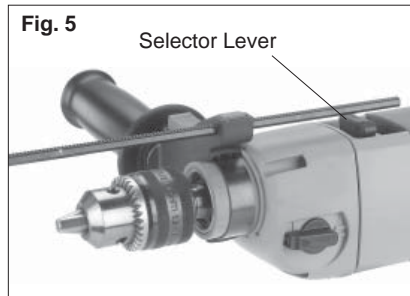
OPERATION



WARNING

To reduce the risk of injury, wear safety goggles or glasses with side shields. Unplug the tool before changing accessories or making adjustments.

Selecting Action (Fig. 5)

MILWAUKEE Hammer-Drills have two settings: drilling and hammer-drilling.

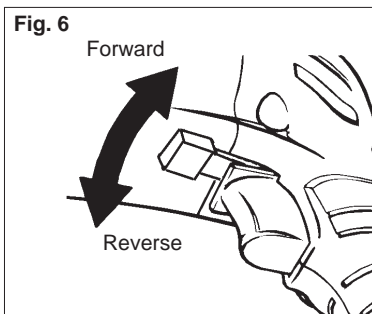


1. For **drilling**, turn the hammer-drill lever towards the drill symbol .
2. For **hammer-drilling**, turn the hammer-drill lever towards the hammer symbol .

NOTE: To engage the hammering mechanism, maintain pressure on the bit. When pressure on the bit is released, the hammering action will stop.

Using Forward/Reverse Lever (Fig. 6)

The forward/reverse lever can only be adjusted when the trigger is not pressed. Always allow the motor to come to a complete stop before using the forward/reverse lever.



1. For **forward** (clockwise) rotation, push the forward/reverse lever to the left (when viewed from the back of the tool) as shown.
2. For **reverse** (counterclockwise) rotation, push the forward/reverse lever to the right (when viewed from the back of the tool) as shown. Allow the motor to come to a full stop before reversing.

NOTE: When hammer-drilling, use the tool in forward rotation (clockwise) only.

Selecting Speed

The speed can be changed when the tool is at a complete stop or running under no load.

1. For low speed (up to 1350 rpm), turn the speed selector to position 1.
2. For high speed (up to 2500 rpm), turn the speed selector to position 2.

Starting, Stopping & Controlling Speed

1. To **start** the tool, pull trigger.
2. To **stop** the tool, release trigger.
3. To vary the speed, increase or decrease pressure to trigger. The further the trigger is pulled, the greater the speed.

Operating

Position the tool, grasp the handles firmly and pull the trigger. Always hold the tool securely using both handles and maintain control. This tool has been designed to achieve top performance with only moderate pressure. Let the tool do the work.

If the speed begins to drop off when drilling deep holes, pull the bit partially out of the hole while the tool is running to help clear dust. Do not use water to settle the dust since it will clog the bit flutes and tend to make the bit bind in the hole.

APPLICATIONS

WARNING

To reduce the risk of electric shock, check work area for hidden pipes and wires before drilling.

Drilling in Wood, Composition Materials and Plastic

When drilling in wood, composition materials and plastic, select the drill operating mode. Start the drill slowly, gradually increasing speed as you drill. Select low speeds for plastics with a low melting point.

Drilling in Metal

When drilling in metal, select the drill operating mode. Use high speed steel twist drills or hole saws. Use a center punch to start the hole. Lubricate drill bits with cutting oil when drilling in iron or steel. Use a coolant when drilling in nonferrous metals such as copper, brass or aluminum. Back the material to prevent binding and distortion on breakthrough.

Drilling in Masonry

When drilling in masonry, select the hammer-drill operating mode. Use high speed carbide-tipped bits. Drilling soft masonry materials such as cinder block requires little pressure. Hard materials like concrete require more pressure. A smooth, even flow of dust indicates the proper drilling rate. Do not let the bit spin in the hole without cutting. Do not use water to settle dust or to cool bit. Do not attempt to drill through steel reinforcing rods. Both actions will damage the carbide.

MAINTENANCE

WARNING

To reduce the risk of injury, always unplug your tool before performing any maintenance. Never disassemble the tool or try to do any rewiring on the tool's electrical system. Contact a MILWAUKEE service facility for ALL repairs.

Maintaining Tools

Keep your tool in good repair by adopting a regular maintenance program. Before use, examine the general condition of your tool. Inspect guards, switches, tool cord set and extension cord for damage. Check for loose screws, misalignment, binding of moving parts, improper mounting, broken parts and any other condition that may affect its safe operation. If abnormal noise or vibration occurs, turn the tool off immediately and have the problem corrected before further use. Do not use a damaged tool. Tag damaged tools "DO NOT USE" until repaired (see "Repairs").

Under normal conditions, relubrication is not necessary until the motor brushes need to be replaced. After six months to one year, depending on use, return your tool to the nearest MILWAUKEE service facility for the following:

- Lubrication
- Brush inspection and replacement
- Mechanical inspection and cleaning (gears, spindles, bearings, housing, etc.)
- Electrical inspection (switch, cord, armature, etc.)
- Testing to assure proper mechanical and electrical operation



WARNING

To reduce the risk of injury, electric shock and damage to the tool, never immerse your tool in liquid or allow a liquid to flow inside the tool.

Cleaning

Clean dust and debris from vents. Keep the tool handles clean, dry and free of oil or grease. Use only mild soap and a damp cloth to clean your tool since certain cleaning agents and solvents are harmful to plastics and other insulated parts. Some of these include: gasoline, turpentine, lacquer thinner, paint thinner, chlorinated cleaning solvents, ammonia and household detergents containing ammonia. Never use flammable or combustible solvents around tools.

Repairs

If your tool is damaged, return the entire tool to the nearest service center.

ACCESSORIES



WARNING

To reduce the risk of injury, always unplug the tool before attaching or removing accessories. Use only specifically recommended accessories. Others may be hazardous.

For a complete listing of accessories refer to your MILWAUKEE Electric Tool catalog or go on-line to www.milwaukeeetool.com. To obtain a catalog, contact your local distributor or a service center.

Side Handle

Cat. No. 49-15-5300

FIVE YEAR TOOL LIMITED WARRANTY

Every MILWAUKEE tool is tested before leaving the factory and is warranted to be free from defects in material and workmanship. MILWAUKEE will repair or replace (at MILWAUKEE's discretion), without charge, any tool (including battery chargers) which examination proves to be defective in material or workmanship from five (5) years after the date of purchase. Return the tool and a copy of the purchase receipt or other proof of purchase to a MILWAUKEE Factory Service/Sales Support Branch location or MILWAUKEE Authorized Service Station, freight prepaid and insured. This warranty does not cover damage from repairs made or attempted by other than MILWAUKEE authorized personnel, abuse, normal wear and tear, lack of maintenance, or accidents.

The warranty period for V28 Battery Packs is two (2) years from the date of purchase. The warranty period for Ni-Cd battery Packs, Flashlights, Radios are warranted for one (1) year from the date of purchase.

THE REPAIR AND REPLACEMENT REMEDIES DESCRIBED HEREIN ARE EXCLUSIVE. IN NO EVENT SHALL MILWAUKEE BE LIABLE FOR ANY INCIDENTAL, SPECIAL, OR CONSEQUENTIAL DAMAGES, INCLUDING LOSS OF PROFITS.

THIS WARRANTY IS EXCLUSIVE AND IN LIEU OF ALL OTHER WARRANTIES, OR CONDITIONS, WRITTEN OR ORAL, EXPRESSED OR IMPLIED FOR MERCHANTABILITY OR FITNESS FOR PARTICULAR USE OR PURPOSE.

This warranty gives you specific legal rights. You may also have other rights that vary from state to state and province to province. In those states that do not allow the exclusion of implied warranties or limitation of incidental or consequential damages, the above limitations or exclusions may not apply to you. This warranty applies to the United States, Canada, and Mexico only.

RÈGLES GÉNÉRALES DE SÉCURITÉ POUR LES OUTILS ÉLECTRIQUE



AVERTISSEMENT

LIRE SOIGNEUSEMENT TOUTES LES INSTRUCTIONS

Le non respect des instructions ci-après peut entraîner des chocs électriques, des incendies et/ou des blessures graves. Le terme «outil électrique» figurant dans les avertissements ci-dessous renvoie à l'outil électrique à alimentation par le réseau (à cordon) ou par batterie (sans fil).

CONSERVER CES INSTRUCTIONS

SÉCURITÉ DU LIEU DE TRAVAIL

1. **Maintenir la zone de travail propre et bien éclairée.** Les zones encombrées ou mal éclairées sont favorables aux accidents.
2. **Ne pas utiliser d'outil électrique dans une atmosphère explosive, telle qu'en en présence de liquides, de gaz ou de poussières inflammables.** Les outils électriques génèrent des étincelles qui peuvent enflammer les poussières ou les fumées.
3. **Tenir les enfants et les personnes non autorisées à l'écart pendant le fonctionnement d'un outil électrique.** Un manque d'attention de l'opérateur risque de lui faire perdre le contrôle de l'outil.

SÉCURITÉ ÉLECTRIQUE

4. **La fiche de l'outil électrique doit correspondre à la prise d'alimentation. Ne jamais modifier la fiche d'une manière quelconque. Ne pas utiliser d'adaptateur avec les outils électriques mis à la terre (à la masse).** Des fiches non modifiées et des prises d'alimentation assorties réduisent le risque de choc électrique.
5. **Éviter tout contact corporel avec des surfaces reliées à la masse ou à la terre telles que tuyaux, radiateurs, cuisinières et réfrigérateurs.** Un risque de choc électrique plus élevé existe si le corps est relié à la masse ou à la terre.
6. **Ne pas exposer les outils électriques à la pluie ou à l'humidité.** Le risque de choc électrique augmente si de l'eau s'infiltré dans un outil électrique.

7. **Prendre soin du cordon. Ne jamais utiliser le cordon pour transporter, tirer ou débrancher l'outil électrique. Tenir le cordon à l'écart de la chaleur, des huiles, des arêtes coupantes ou des pièces en mouvement.** Un cordon endommagé ou emmêlé présente un risque accru de choc électrique.
8. **Se procurer un cordon d'alimentation approprié en cas d'utilisation d'un outil électrique à l'extérieur.** L'utilisation d'un cordon d'alimentation pour usage extérieur réduit le risque de choc électrique.

SÉCURITÉ INDIVIDUELLE

9. **Être sur ses gardes, être attentif et faire preuve de bon sens en utilisant un outil électrique. Ne pas utiliser un outil électrique en cas de fatigue ou sous l'influence de drogues, d'alcool ou de médicaments.** Un instant d'inattention lors de l'utilisation d'un outil électrique peut entraîner des blessures graves.
10. **Utiliser un équipement de sécurité. Toujours porter des lunettes de protection.** Un équipement de sécurité comprenant masque anti-poussière, chaussures de sécurité anti-dérapantes, casque ou dispositif de protection anti-bruit peut, dans les circonstances appropriées, réduire le risque de blessure.
11. **Éviter tout démarrage accidentel de l'outil. S'assurer que le commutateur est en position OFF (Arrêt) avant de brancher l'outil.** Le port de l'outil avec un doigt sur le commutateur ou son branchement avec le commutateur en position ON (Marche) sont favorables aux accidents.

12. **Retirer toute clé de réglage avant de mettre l'outil sous tension.** Une clé laissée attachée sur une pièce mobile de l'outil électrique peut entraîner des blessures.
13. **Ne pas travailler à bout de bras. Bien garder un bon équilibre à tout instant.** Ceci permet de mieux préserver la maîtrise de l'outil électrique dans des situations imprévues.
14. **Porter des vêtements adéquats. Ne pas porter de vêtements amples ni de bijoux. Ne pas approcher les cheveux, vêtements et gants des pièces en mouvement.** Les vêtements amples, les bijoux ou les cheveux longs risquent d'être happés par les pièces en mouvement.
15. **Si des dispositifs sont prévus pour l'extraction et la récupération des poussières, vérifier qu'ils sont connectés et utilisés correctement.** L'utilisation de ces dispositifs peut réduire les risques liés aux poussières.

UTILISATION ET ENTRETIEN DE L'OUTIL ÉLECTRIQUE

16. **Ne pas forcer l'outil électrique. Utiliser l'outil électrique approprié à l'application considérée.** L'outil électrique adapté au projet considéré produira de meilleurs résultats, dans des conditions de sécurité meilleures, à la vitesse pour laquelle il a été conçu.
17. **Ne pas utiliser l'outil électrique si le commutateur ne le met pas sous ou hors tension.** Tout outil électrique dont le commutateur de marche-arrêt est inopérant est dangereux et doit être réparé.
18. **Débrancher la fiche de la prise d'alimentation et/ou la batterie de l'outil électrique avant d'effectuer des réglages, de changer d'accessoires ou de ranger l'outil.** De telles mesures de sécurité préventive réduisent le risque de mettre l'outil en marche accidentellement.
19. **Ranger les outils électriques inutilisés hors de la portée des enfants et ne pas laisser des personnes qui connaissent mal les outils électriques ou ces instructions utiliser ces outils.** Les outils électriques sont dangereux dans les mains d'utilisateurs non formés à leur usage.

20. **Entretien des outils électriques. S'assurer de l'absence de tout désalignement ou de grippage des pièces mobiles, de toute rupture de pièce ou de toute autre condition qui pourrait affecter le bon fonctionnement de l'outil électrique. En cas de dommages, faire réparer l'outil avant de l'utiliser de nouveau.** Les outils électriques mal entretenus sont à la source de nombreux accidents.
21. **Garder les outils de coupe affûtés et propres.** Les outils de coupe correctement entretenus et bien affûtés risquent moins de se gripper et sont plus faciles à manier.
22. **Utiliser cet outil électrique, les accessoires, les mèches, etc. conformément à ces instructions et de la façon prévue pour ce type particulier d'outil électrique, tout en prenant en compte les conditions de travail et le type de projet considérés.** L'utilisation de cet outil électrique pour un usage autre que l'usage prévu peut créer des situations dangereuses.

ENTRETIEN

23. **Faire effectuer l'entretien de l'outil électrique par un technicien qualifié qui n'utilisera que des pièces de rechange identiques.** La sécurité d'utilisation de l'outil en sera préservée.

RÈGLES DE SÉCURITÉ PARTICULIÈRE

1. **Tenez l'outil par ses parties isolées lorsqu'il y a risque de contact de l'outil avec des fils sous tension ou même, le cordon de l'outil.** Le contact d'une partie métallique de l'outil avec un fil sous tension comporte un risque de choc électrique.
2. **L'exposition au bruit intense peut occasionner des troubles auditifs.** Portez un protecteur anti-bruit lorsque vous utilisez l'outil pour une période prolongée.
3. **Tenez les mains à l'écart des arêtes tranchantes et des pièces en mouvement.**

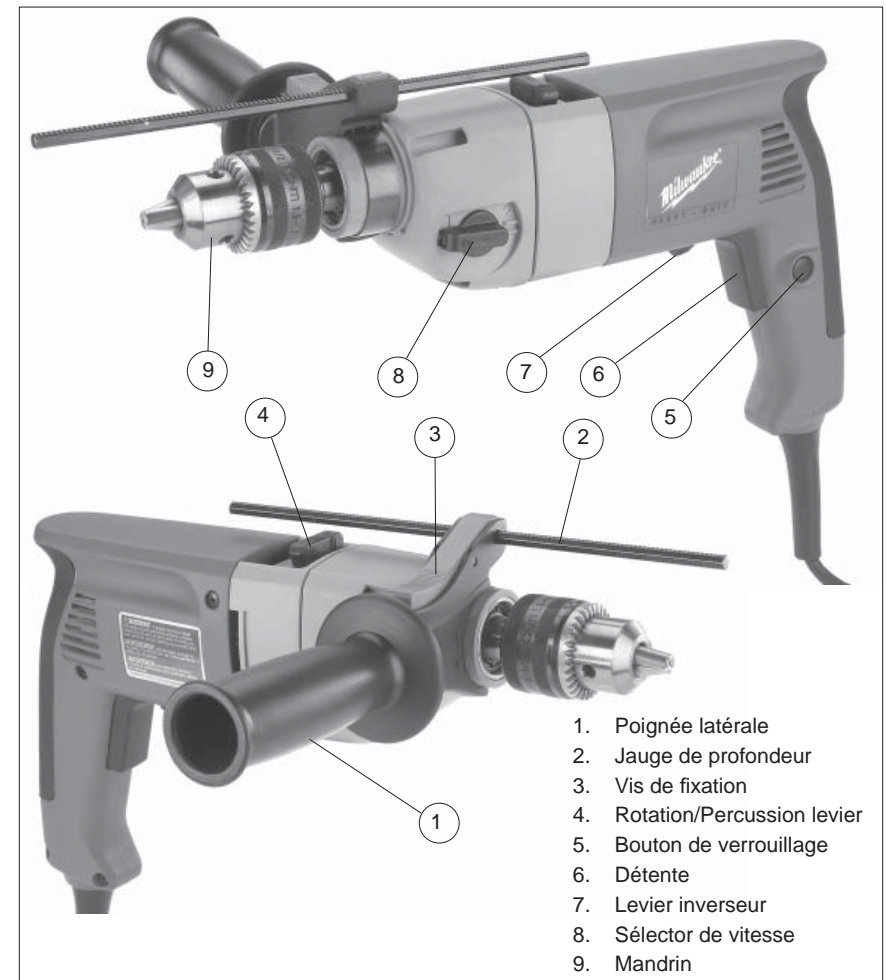
4. **Entretenez les étiquettes et marques du fabricant.** Les indications qu'elles contiennent sont précieuses. Si elles deviennent illisibles ou se détachent, faites-les remplacer gratuitement à un centre de service MILWAUKEE accrédité.

5. **AVERTISSEMENT!** La poussière dégagée par perçage, sciage et autres travaux de construction contient des substances chimiques reconnues comme pouvant causer le cancer, des malformations congénitales ou d'autres troubles de reproduction. Voici quelques exemples de telles substances :

- Le plomb contenu dans la peinture au plomb.
- Le silice cristallin contenu dans la brique, le béton et divers produits de maçonnerie.
- L'arsenic et le chrome servant au traitement chimique du bois.

Les risques associés à l'exposition à ces substances varient, dépendant de la fréquence des travaux. Afin de minimiser l'exposition à ces substances chimiques, assurez-vous de travailler dans un endroit bien aéré et d'utiliser de l'équipement de sécurité tel un masque antipoussière spécifiquement conçu pour la filtration de particules microscopiques.

DESCRIPTION FONCTIONNELLE



MISE A LA TERRE



AVERTISSEMENT

Si le fil de mise à la terre est incorrectement raccordé, il peut en résulter des risques de choc électrique. Si vous n'êtes pas certain que la prise dont vous vous servez est correctement mise à la terre, faites-la vérifier par un électricien. N'altérez pas la fiche du cordon de l'outil. N'enlevez pas de la fiche, la dent qui sert à la mise à la terre. N'employez pas l'outil si le cordon ou la fiche sont en mauvais état. Si tel est le cas, faites-le réparer dans un centre-service MILWAUKEE accrédité avant de vous en servir. Si la fiche du cordon ne s'adapte pas à la prise, faites remplacer la prise par un électricien.

Outils mis à la terre : Outils pourvus d'une fiche de cordon à trois dents

Les outils marqués « Mise à la terre requise » sont pourvus d'un cordon à trois fils dont la fiche a trois dents. La fiche du cordon doit être branchée sur une prise correctement mise à la terre (voir Figure A). De cette façon, si une défectuosité dans le circuit électrique de l'outil survient, le relais à la terre fournira un conducteur à faible résistance pour décharger le courant et protéger l'utilisateur contre les risques de choc électrique.

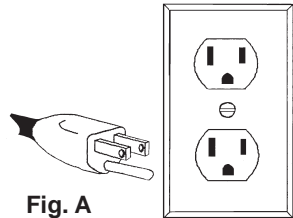


Fig. A

La dent de mise à la terre de la fiche est reliée au système de mise à la terre de l'outil via le fil vert du cordon. Le fil vert du cordon doit être le seul fil raccordé à un bout au système de mise à la terre de l'outil et son autre extrémité ne doit jamais être raccordée à une borne sous tension électrique.

Votre outil doit être branché sur une prise appropriée, correctement installée et mise à la terre conformément aux codes et ordonnances en vigueur. La fiche du cordon et la prise de courant doivent être semblables à celles de la Figure A.

Outils à double isolation : Outils pourvus d'une fiche de cordon à deux dents

Les outils marqués « Double Isolation » n'ont pas besoin d'être raccordés à la terre. Ils sont pourvus d'une double isolation conforme aux exigences de l'OSHA et satisfont aux normes de l'Underwriters Laboratories, Inc., de l'Association canadienne de normalisation (ACNOR) et du « National Electrical Code » (code national de l'électricité). Les outils à double isolation peuvent être branchés sur n'importe laquelle des prises à 120 volt illustrées ci-contre Figure B et C.

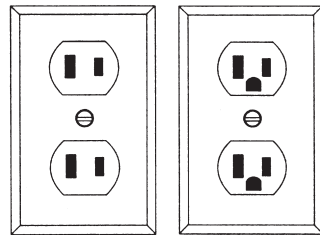


Fig. B

Fig. C

Spécifications

Outil					Capacité	
					Perçage seul. (bois ou acier)	Marteau rotatif (béton)
No de Cat.	Volts CA	A	T/Min. à vide	Coups/Min. à vide	Forets heli	Forets à percussion pointe carburée
5378-20 et 5378-21	120	7,5	Basse 0 - 1 350 Haute 0 - 2 500	22 000 40 000	13 mm - 38 mm (1/2" - 1-1/2")	16 mm (5/8")

CORDONS DE RALLONGE

Si l'emploi d'un cordon de rallonge est nécessaire, un cordon à trois fils doit être employé pour les outils mis à la terre. Pour les outils à double isolation, on peut employer indifféremment un cordon de rallonge à deux ou trois fils. Plus la longueur du cordon entre l'outil et la prise de courant est grande, plus le calibre du cordon doit être élevé. L'utilisation d'un cordon de rallonge incorrectement calibré entraîne une chute de voltage résultant en une perte de puissance qui risque de détériorer l'outil. Reportez-vous au tableau ci-contre pour déterminer le calibre minimum du cordon.

Moins le calibre du fil est élevé, plus sa conductivité est bonne. Par exemple, un cordon de calibre 14 a une meilleure conductivité qu'un cordon de calibre 16. Lorsque vous utilisez plus d'une rallonge pour couvrir la distance, assurez-vous que chaque cordon possède le calibre minimum requis. Si vous utilisez un seul cordon pour brancher plusieurs outils, additionnez le chiffre d'intensité (ampères) inscrit sur la fiche signalétique de chaque outil pour obtenir le calibre minimal requis pour le cordon.

Directives pour l'emploi des cordons de rallonge

- Si vous utilisez une rallonge à l'extérieur, assurez-vous qu'elle est marquée des sigles « W-A » (« W » au Canada) indiquant qu'elle est adéquate pour usage extérieur.
- Assurez-vous que le cordon de rallonge est correctement câblé et en bonne condition. Remplacez tout cordon de rallonge détérioré ou faites-le remettre en état par une personne compétente avant de vous en servir.
- Tenez votre cordon de rallonge à l'écart des objets ranchants, des sources de grande chaleur et des endroits humides ou mouillés.

Calibres minimaux recommandés pour les cordons de rallonge*

Fiche signalétique Ampères	Longueur du cordon de rallonge (m)					
	7,6	15,2	22,8	30,4	45,7	60,9
0 - 5,0	16	16	16	14	12	12
5,1 - 8,0	16	16	14	12	10	--
8,1 - 12,0	14	14	12	10	--	--
12,1 - 15,0	12	12	10	10	--	--
15,1 - 20,0	10	10	10	--	--	--

* Basé sur une chute de voltage limite de 5 volts à 150% de l'intensité moyenne de courant.

Pictographie

	Double Isolation
	Courant alternatif
	Ampères
	Tours-minute à vide (RPM)
	T-min. Charge/vide
	Underwriters Laboratories, Inc.
	l'Association canadienne de normalisation (ACNOR)
	Inscription mexicaine d'approbation

**LISEZ ATTENTIVEMENT
CES INSTRUCTIONS ET
CONSERVEZ-LES POUR LES
CONSULTER AU BESOIN.**

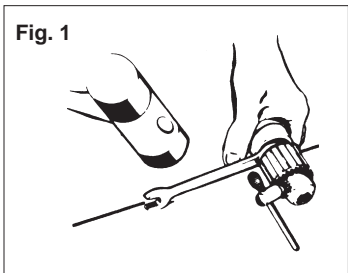
MONTAGE DE L'OUTIL

AVERTISSEMENT

Pour minimiser les risques de blessures, débranchez toujours l'outil avant d'y faire des réglages, d'y attacher ou d'en enlever les accessoires. L'usage d'accessoires autres que ceux qui sont spécifiquement recommandés pour cet outil peut comporter des risques.

Retrait du mandrin (Fig. 1)

Fig. 1



1. Ouvrez complètement les mâchoires du mandrin.
2. Enlevez la vis située à l'intérieur de la tête du mandrin. C'est une vis à pas de gauche, tournez dans le sens horaire pour l'enlever.
3. Maintenez la broche avec une clé (Fig. 1).
4. Insérez la clé du mandrin de la perceuse à l'intérieur du mandrin et desserrez dans le sens horaire en tapotant légèrement avec un marteau en caoutchouc.

N.B. : Pour monter le mandrin, suivez les instructions ci-dessus, mais à l'inverse.

AVERTISSEMENT

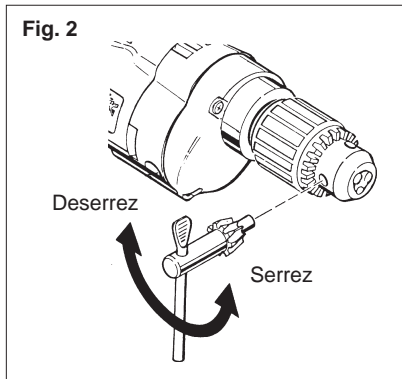
Pour prévenir les blessures corporelles, retirez toujours la clé du mandrin après chaque usage.

Pose des mèches dans le mandrin à clé (Fig. 2)

Assurez-vous que la tige du foret et les mâchoires du mandrin sont propres pour éviter que des saletés ne nuisent au parfait alignement du foret. Pour éviter d'endommager les engrenages et de pro-

voquer la surchauffe du moteur, n'employez pas de forets d'un calibre supérieur aux dimensions maximales recommandées pour cet outil. Pour un meilleur rendement, assurez-vous que les forets utilisés sont adéquatement affûtés.

Fig. 2



1. Débranchez l'outil.
2. Écartez les mâchoires du mandrin assez pour y insérer le foret. Poussez le foret jusqu'au fond du mandrin et centrez-le entre les mâchoires. Serrez le mandrin à la main.
3. Prenez la clé de mandrin dans le porte-clé et serrez le mandrin en plaçant la clé dans chacun des trois trous de serrage du mandrin et en la faisant tourner en sens horaire pour le serrer à fond.

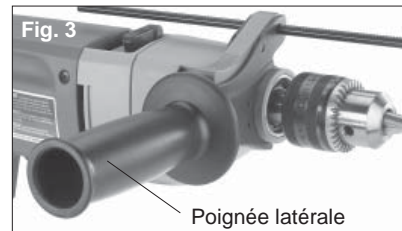
N.B. : N'employez jamais d'autre outil que la clé de mandrin pour serrer ou desserrer le mandrin.

4. Pour retirer le foret, insérez la clé de mandrin dans l'un des trous du mandrin et faites-la tourner en sens inverse-horaire.

AVERTISSEMENT

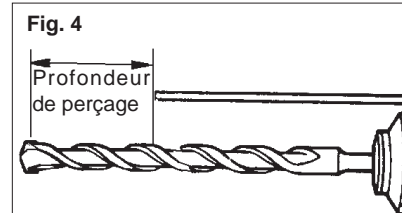
Pour minimiser les risques de blessures corporelles, utilisez toujours la poignée latérale lorsque vous maniez l'outil. Étayez-la ou maintenez-la solidement.

Attache de poignée latérale



1. Desserrez la poignée latérale en dévissant son attache jusqu'à ce que la poignée pivote librement.
2. Faites tourner la poignée latérale à la position désirée.
3. Serrez fermement l'attache de la poignée latérale.

Réglage de la jauge de profondeur (Fig. 4)



1. Appuyez sur le levier de serrage.
 2. Faites glisser vers l'arrière ou vers l'avant la tige de la jauge de profondeur jusqu'à ce qu'elle soit réglée à la profondeur désirée.
- N.B.** : La profondeur de perçage correspond à la distance entre l'extrémité du foret et l'extrémité de la tige de la jauge de profondeur.
3. Dégagez le levier de serrage.

MANIEMENT

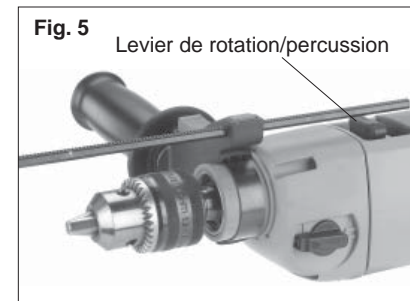
AVERTISSEMENT

Pour minimiser les risques de blessures, portez des lunettes à coques latérales. Débranchez l'outil avant de changer les accessoires ou d'effectuer des réglages.

Choix du mode d'action (Fig. 5)

Les perceuses à percussion MILWAUKEE sont pourvues de deux réglages: rotation seulement et rotation avec percussion.

Fig. 5 Levier de rotation/percussion

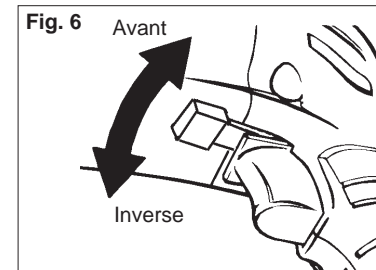


1. Pour **driller en rotation**, tournez le levier de rotation/percussion vers le symbole « foret ».
2. Pour **rotation avec percussion**, tournez le levier de rotation/percussion vers le symbole « marteau ».

N.B. Pour engager le mécanisme de percussion, exercez une pression sur le foret. Lorsque la pression sera relâchée, la percussion va cesser.

Utilisation du levier inverseur (Fig. 6)

Le levier inverseur ne peut pas être actionné en même temps que la détente. Il faut toujours laisser le moteur s'arrêter complètement avant d'actionner le levier inverseur.



1. Pour la **rotation avant**, (sens horaire) poussez le levier inverseur vers la gauche (lorsqu'on regarde l'arrière, mettre de l'outil), tel qu'indiqué.
2. Pour **inverser la rotation** (sens inverse-horaire), poussez le levier inverseur vers la droite (lorsqu'on regarde l'arrière, mettre de l'outil), tel qu'indiqué. Laissez quand même l'outil s'arrêter complètement de tourner avant d'actionner le levier inverseur.

N.B. Pour percer avec percussion, l'outil doit être en mode de rotation avant (sens horaire).

Sélection de la vitesse de rotation

La vitesse de rotation peut être modifiée lorsque l'outil est complètement arrêté ou s'il tourne à vide.

1. Pour la **basse** vitesse (1 350 t/min.), glissez le sélecteur vers la position 1.
2. Pour la **haute** vitesse (2 500 t/min.), glissez le sélecteur vers la position 2.

APPLICATIONS



AVERTISSEMENT

Pour minimiser les risques de choc électrique, inspectez l'aire de travail pour en déceler les tuyaux et les câbles électriques avant perçage.

Perçage dans le bois, les agglomérés et le plastique

Lorsque vous percez dans le bois, les agglomérés et le plastique, sélectionnez le mode perçage. Commencez à driller lentement pour augmenter graduellement la vitesse. Drillez à basse vitesse dans les plastiques dont le point de fusion est peu élevé.

Perçage dans le métal

Pour percer le métal, sélectionnez le mode perçage. Employez des forets d'acier-rapide de forme hélicoïdale ou des lames-scies du même métal. Lubrifiez le foret avec de l'huile de coupe lorsque vous drillez dans l'acier ou le fer. Pour les métaux non ferreux comme

Démarrage, arrêt et contrôle de la vitesse

1. Pour **mettre** l'outil en marche, appuyez sur la détente.
2. Pour **arrêter** l'outil, relâchez la détente.
3. Pour varier la vitesse, il suffit d'augmenter ou de diminuer la pression sur la détente. Plus la détente est enfoncée, plus la vitesse est grande.

Maniement

Placez l'outil et empoignez-le solidement puis appuyez sur la détente. Cet outil a été conçu pour fournir le meilleur rendement à pression modérée, laissez-le faire le travail.

Si, au cours du perçage d'un trou profond, la vitesse de rotation commence à diminuer, retirez partiellement le foret pendant qu'il tourne pour que les débris de forage soient éjectés. N'utilisez pas d'eau pour abattre la poussière pour éviter de bloquer les cannelures du foret et d'en occasionner le grippage.

le cuivre, l'étain et l'aluminium, employez un liquide refroidisseur. Appuyez la pièce à travailler sur une pièce rigide pour éviter le grippage ou le gauchissement du foret à la phase finale du perçage.

Forage dans la maçonnerie

Pour driller dans la maçonnerie, placez le collet sélecteur à la position de rotation avec percussion marquée « Hammer-Drill ». Utilisez un foret de haute vitesse à pointe carburée. Pour driller dans la maçonnerie molle comme les blocs de cendre, par exemple, n'appliquez qu'une légère pression sur l'outil. Pour les matériaux plus durs comme le béton, appliquez plus de pression sur l'outil. Le perçage s'effectue correctement lorsqu'une fine poussière s'échappe du trou. Ne laissez pas le foret tourner librement dans le trou. N'essayez pas de percer à travers l'acier à béton armé. N'employez pas d'eau pour abattre la poussière ou refroidir le foret, car l'eau peut endommager la pointe carburée du foret.

MAINTENANCE



AVERTISSEMENT

Pour minimiser les risques de blessures, débranchez toujours l'outil avant d'y effectuer des travaux de maintenance. Ne faites pas vous-même le démontage de l'outil ni le rebobinage du système électrique. Consultez un centre de service MILWAUKEE accrédité pour toutes les réparations.

Entretien de l'outil

Gardez l'outil en bon état en adoptant un programme d'entretien ponctuel. Avant de vous en servir, examinez son état en général. Inspectez-en la garde, interrupteur, cordon et cordon de rallonge pour en déceler les défauts. Vérifiez le serrage des vis, l'alignement et le jeu des pièces mobiles, les vices de montage, bris de pièces et toute autre condition pouvant en rendre le fonctionnement dangereux. Si un bruit ou une vibration insolite survient, arrêtez immédiatement l'outil et faites-le vérifier avant de vous en servir de nouveau. N'utilisez pas un outil défectueux. Fixez-y une étiquette marquée « HORS D'USAGE » jusqu'à ce qu'il soit réparé (voir « Réparations »).

Normalement, il ne sera pas nécessaire de lubrifier l'outil avant que le temps ne soit venu de remplacer les balais. Après une période pouvant aller de 6 mois à un an, selon l'usage, retournez votre outil à un centre de service MILWAUKEE accrédité pour obtenir les services suivants:

- Lubrification
- Inspection et remplacement des balais
- Inspection et nettoyage de la mécanique (engrenages, pivots, coussinets, boîtier etc.)
- Inspection électrique (interrupteur, cordon, induit etc.)
- Vérification du fonctionnement électromécanique



AVERTISSEMENT

Pour minimiser les risques de blessures, choc électrique et dommage à l'outil, n'immergez jamais l'outil et ne laissez pas de liquide s'y infiltrer.

Nettoyage

Débarassez les événements des débris et de la poussière. Gardez les poignées de l'outil propres, à sec et exemptes d'huile ou de graisse. Le nettoyage de l'outil doit se faire avec un linge humide et un savon doux. Certains nettoyants tels l'essence, la térébenthine, les diluants à laque ou à peinture, les solvants chlorés, l'ammoniaque et les détergents d'usage domestique qui en contiennent pourraient détériorer le plastique et l'isolation des pièces. Ne laissez jamais de solvants inflammables ou combustibles auprès des outils.

Réparations

Si votre outil est endommagé, retourne l'outil entier au centre de maintenance le plus proche.

ACCESSOIRES



AVERTISSEMENT

Pour minimiser les risques de blessures, débranchez toujours l'outil avant d'y installer ou d'en enlever les accessoires. L'emploi d'accessoires autres que ceux qui sont expressément recommandés pour cet outil peut présenter des risques.

Pour une liste complète des accessoires, prière de se reporter au catalogue MILWAUKEE Electric Tool ou visiter le site internet www.milwaukeetool.com. Pour obtenir un catalogue, il suffit de contacter votre distributeur local ou l'un des centres-service.

Poigné latérale

No de cat. 49-15-5300

GARANTIE LIMITÉE DE L'OUTIL DE CINQ ANS

Tous les outils MILWAUKEE sont testés avant de quitter l'usine et sont garantis exempts de vice de matériau ou de fabrication. MILWAUKEE réparera ou remplacera (à la discrétion de MILWAUKEE), sans frais, tout outil (y compris les chargeurs de batterie) dont l'examen démontre le caractère défectueux du matériau ou de la fabrication dans les cinq (5) ans suivant la date d'achat. Retourner l'outil et une copie de la facture ou de toute autre preuve d'achat à une branche Entretien usine/Assistance des ventes de l'établissement MILWAUKEE ou à un centre d'entretien agréé par MILWAUKEE, en port payé et assuré. Cette garantie ne couvre pas les dommages causés par les réparations ou les tentatives de réparation par quiconque autre que le personnel agréé par MILWAUKEE, les utilisations abusives, l'usure normale, les carences d'entretien ou les accidents.

Le période de garantie pour les batteries V28 est de deux (2) ans à compter de la date d'achat. Le période de garantie pour les batteries Ni-Cd, les lampes de poche, les radios et palans est de un (1) an à partir de la date d'achat.

LES SOLUTIONS DE RÉPARATION ET DE REMPLACEMENT DÉCRITES PAR LES PRÉSENTES SONT EXCLUSIVES. MILWAUKEE NE SAURAIT ÊTRE RESPONSABLE, EN AUCUNE CIRCONSTANCE, DES DOMMAGES ACCESSOIRES, SPÉCIAUX OU INDIRECTS, Y COMPRIS LES MANQUES À GAGNER.

CETTE GARANTIE EST EXCLUSIVE ET REMPLACE TOUTES LES AUTRES GARANTIES OU CONDITIONS, ÉCRITES OU ORALES, EXPRESSES OU TACITES DE QUALITÉ MARCHANDE OU D'ADAPTATION À UNE UTILISATION OU UNE FIN PARTICULIÈRE.

Cette garantie vous donne des droits particuliers. Vous pouvez aussi bénéficier d'autres droits variant d'un état à un autre et d'une province à une autre. Dans les états qui n'autorisent pas les exclusions de garantie tacite ou la limitation des dommages accessoires ou indirects, les limitations ou exclusions ci-dessus peuvent ne pas s'appliquer. Cette garantie s'applique aux États-Unis, au Canada et au Mexique uniquement.

REGLAS DE SEGURIDAD GENERALES PARA HERRAMIENTAS ELÉCTRICAS



ADVERTENCIA

LEA TODAS LAS INSTRUCCIONES

Si no se siguen todas las siguientes instrucciones se puede provocar una descarga eléctrica, un incendio y/o lesiones graves. El término "herramienta eléctrica" en todas las advertencias incluidas más abajo se refiere a su herramienta operada por conexión (cable) a la red eléctrica o por medio de una batería (inalámbrica).

GUARDE ESTAS INSTRUCCIONES

SEGURIDAD EN EL ÁREA DE TRABAJO

1. **Mantenga limpia y bien iluminada el área de trabajo.** Las áreas desordenadas u oscuras contribuyen a que se produzcan accidentes.
2. **No utilice herramientas eléctricas en atmósferas explosivas, como en la presencia de líquidos, gases o polvo inflamables.** Las herramientas eléctricas crean chispas que pueden incendiar el polvo o las emanaciones.
3. **Mantenga a los niños y otras personas alejadas mientras utiliza una herramienta eléctrica.** Las distracciones pueden hacerle perder el control.

SEGURIDAD ELÉCTRICA

4. **Los enchufes de las herramientas eléctricas deben ser del mismo tipo que el tomacorrientes. Nunca realice ningún tipo de modificación en el enchufe. No use enchufes adaptadores con herramientas eléctricas con conexión a tierra.** Se reducirá el riesgo de descarga eléctrica si no se modifican los enchufes y los tomacorrientes son del mismo tipo.
5. **Evite el contacto corporal con superficies con conexión a tierra, como tuberías, radiadores, estufas y refrigeradores.** El riesgo de descarga eléctrica aumenta si su cuerpo está conectado a tierra.
6. **No exponga la herramientas eléctricas a la lluvia o a condiciones de humedad.** El agua que entra en una herramienta eléctrica aumenta el riesgo de descarga eléctrica.

7. **No abuse del cable. Nunca use el cable para transportar la herramienta eléctrica, tirar de ella o desenchufarla. Mantenga el cable alejado del calor, los bordes afilados o las piezas en movimiento.** Los cables dañados o enmarañados aumentan el riesgo de descarga eléctrica.
8. **Cuando se utiliza una herramienta eléctrica en el exterior, use una extensión que sea apropiada para uso en el exterior.** El uso de un cable apropiado para el exterior reduce el riesgo de descarga eléctrica.

SEGURIDAD PERSONAL

9. **Manténgase alerta, ponga cuidado a lo que está haciendo y use el sentido común cuando utilice una herramienta eléctrica. No use una herramienta eléctrica cuando está cansado o bajo la influencia de drogas, alcohol o medicinas.** Despijarse un minuto cuando se utiliza una herramienta eléctrica puede tener como resultado lesiones personales graves.
10. **Use equipo de seguridad. Lleve siempre protección ocular.** Llevar equipo de seguridad apropiado para la situación, como una máscara antipolvo, zapatos de seguridad antideslizantes casco o protección auditiva, reducirá las lesiones personales.
11. **Evite los arranques accidentales. Asegúrese de que el interruptor esté en la posición de apagado antes de enchufar la herramienta.** Mover herramientas con el dedo en el interruptor o enchufar herramientas con el interruptor en la posición de encendido contribuye a que se produzcan accidentes.

12. **Quite todas las llaves de ajuste antes de encender la herramienta.** Una llave que esté acoplada a una pieza giratoria de la herramienta puede provocar lesiones personales.
13. **No se estire demasiado. Mantenga los pies bien asentados y el equilibrio en todo momento.** Esto permite tener mejor control de la herramienta eléctrica en situaciones inesperadas.
14. **Vístase de manera apropiada. No lleve ropa suelta ni joyas. Mantenga el cabello, la ropa y los guantes lejos de la piezas en movimiento.** La ropa floja, las joyas o el cabello largo pueden quedar atrapados en las piezas en movimiento.
15. **Si se proporcionan dispositivos para la conexión de sistemas de recolección y extracción de polvo, asegúrese de que estén conectados y se usen apropiadamente.** El uso de estos dispositivos puede reducir los peligros relacionados con el polvo.

USO Y CUIDADO DE LAS HERRAMIENTAS ELÉCTRICAS

16. **No fuerce la herramienta eléctrica. Use la herramienta eléctrica correcta para la aplicación.** La herramienta eléctrica correcta funcionará mejor y de manera más segura a la velocidad para la que se diseñó.
17. **No use la herramienta eléctrica si el interruptor no la enciende ni la apaga.** Cualquier herramienta eléctrica que no se pueda controlar con el interruptor es peligrosa y se debe reparar.
18. **Desconecte el enchufe de la toma de alimentación y/o la batería de la herramienta eléctrica antes de realizar cualquier ajuste, cambiar accesorios o almacenar las herramientas eléctricas.** Dichas medidas preventivas de seguridad reducen el riesgo de que la herramienta se prenda accidentalmente.
19. **Almacene las herramientas eléctricas fuera del alcance de los niños y no permita que personas no familiarizadas con ellas o estas instrucciones las utilicen.** Las herramientas eléctricas son peligrosas en las manos de usuarios no capacitados.

20. **Mantenimiento de las herramientas eléctricas. Revise que no haya piezas móviles que estén desalineadas o que se atasquen, piezas rotas ni ninguna otra condición que pueda afectar el funcionamiento de la herramienta eléctrica. Si se encuentran daños, haga que le reparen la herramienta antes de usarla.** Las herramientas mal mantenidas son la causa de muchos accidentes.
21. **Mantenga las herramientas de corte limpias y afiladas.** Es menos probable que se atasquen las herramientas de corte con filos afilados que se mantienen de manera apropiada y también son más fáciles de controlar.
22. **Use la herramienta eléctrica, los accesorios y las brocas, etc. siguiendo estas instrucciones y de la manera para la que dicha herramienta eléctrica en particular fue diseñada, teniendo en cuenta las condiciones de trabajo y la tarea que se va a realizar.** El uso de la herramienta eléctrica para operaciones diferentes de aquellas para las que se diseñó podría resultar en una situación peligrosa.

MANTENIMIENTO









23. **Haga que un técnico calificado realice el mantenimiento de la herramienta eléctrica utilizando solamente piezas de repuesto idénticas.** Esto asegurará que se mantiene la seguridad de la herramienta eléctrica.

REGLAS ESPECIFICAS DE SEGURIDAD

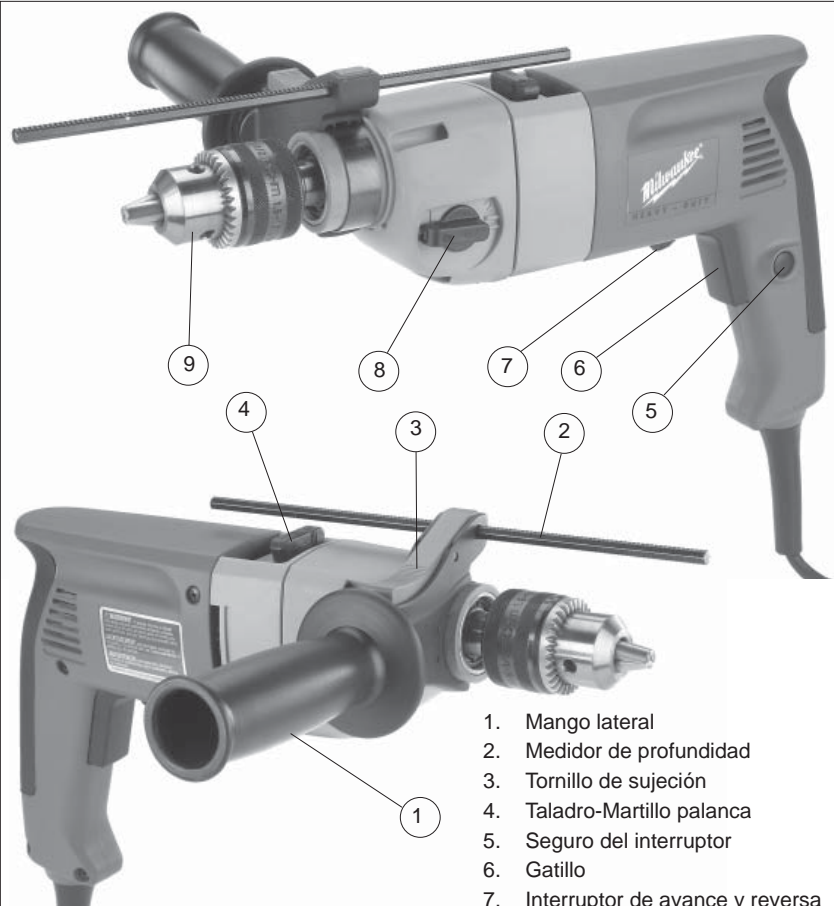
1. **Sostenga la herramienta por las superficies aisladas cuando realice una operación donde la herramienta cortadora puede entrar en contacto con alambres que no estén visibles o su porpio cordón.** Hacer contacto con un alambre con corriente hará que las partes metálicas expuestas de la herramienta también tengan corriente y produzcan una descarga sobre el operador.
2. **Al manejar esta herramienta durante períodos prolongados utilice protectores para los oídos.** La exposición prolongada a altos niveles de ruido puede provocar pérdida de la audición.
3. **Mantenga las manos alejadas de todos los bordes cortadores y partes en movimiento.**
4. **Guarde las etiquetas y placas de especificaciones.** Estas tienen información importante. Si son ilegibles o si no se pueden encontrar, póngase en contacto con un centro de servicio de MILWAUKEE para una refacción gratis.
5. **¡ADVERTENCIA!** Algunas partículas de polvo resultantes del lijado mecánico, aserrado, esmerilado, taladrado y otras actividades relacionadas a la construcción, contienen sustancias químicas que se saben ocasionan cáncer, defectos congénitos u otros daños al aparato reproductivo. A continuación se citan algunos ejemplos de tales sustancias químicas:
 - plomo proveniente de pinturas con base de plomo
 - sílice cristalino proveniente de ladrillos, cemento y otros productos de albañilería y
 - arsénico y cromo provenientes de madera químicamente tratada.

El riesgo que usted sufre debido a la exposición varía dependiendo de la frecuencia con la que usted realiza estas tareas. Para reducir la exposición a estas sustancias químicas: trabaje en un área bien ventilada, y utilice equipo de seguridad aprobado como, por ejemplo, máscaras contra el polvo que hayan sido específicamente diseñadas para filtrar partículas microscópicas.

Simbología

	Doble aislamiento
	Volts corriente alterna
	Amperios
	No de revoluciones de carga minuto (RPM)
	Golpes por minuto
	Underwriters Laboratories, Inc.
	Asociación de Normas Canadiense
	Marca mejicana de la aprobación

DESCRIPCION FUNCIONAL



1. Mango lateral
2. Medidor de profundidad
3. Tornillo de sujeción
4. Taladro-Martillo palanca
5. Seguro del interruptor
6. Gatillo
7. Interruptor de avance y reversa
8. Palanca de cambio de velocidad
9. Mandril

Especificaciones

Herramienta					Capacidades	
					Taladro (acero/madera)	Rotomartillo (concreto)
Cat. No.	Volts ca	A	rpm	golpes por minuto	Brocas	Brocas c/ carburo
5378-20 y 5378-21	120	7,5	Baja 0 - 1 350 Alta 0 - 2 500	22 000 40 000	13 mm - 38 mm (1/2" - 1-1/2")	16 mm (5/8")

TIERRA



ADVERTENCIA

Puede haber riesgo de descarga eléctrica si se conecta el cable de conexión de puesta a tierra incorrectamente. Consulte con un electricista certificado si tiene dudas respecto a la conexión de puesta a tierra del tomacorriente. No modifique el enchufe que se proporciona con la herramienta. Nunca retire la clavija de conexión de puesta a tierra del enchufe. No use la herramienta si el cable o el enchufe está dañado. Si está dañado antes de usarlo, llévelo a un centro de servicio **MILWAUKEE** para que lo reparen. Si el enchufe no se acopla al tomacorriente, haga que un electricista certificado instale un toma-corriente adecuado.

Herramientas con conexión a tierra: Herramientas con enchufes de tres clavijas

Las herramientas marcadas con la frase "Se requiere conexión de puesta a tierra" tienen un cable de tres hilos y enchufes de conexión de puesta a tierra de tres clavijas. El enchufe debe conectarse a un tomacorriente debidamente conectado a tierra (véase la Figura A). Si la herramienta se averiara o no funcionara correctamente, la conexión de puesta a tierra proporciona un trayecto de baja resistencia para desviar la corriente eléctrica de la trayectoria del usuario, reduciendo de este modo el riesgo de descarga eléctrica.

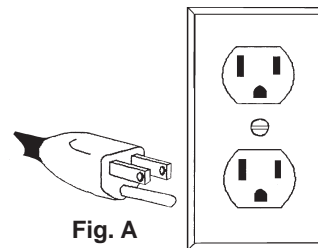


Fig. A

La clavija de conexión de puesta a tierra en el enchufe está conectada al sistema de conexión de puesta a tierra de la herramienta a través del hilo verde dentro del cable. El hilo verde debe ser el único hilo conectado al sistema de conexión de puesta a tierra de la herramienta y nunca se debe unir a una terminal energizada.

Su herramienta debe estar enchufada en un tomacorriente apropiado, correctamente instalado y conectado a tierra según todos los códigos y reglamentos. El enchufe y el tomacorriente deben asemejarse a los de la Figura A.

Herramientas con doble aislamiento: Herramientas con clavijas de dos patas

Las herramientas marcadas con "Doble aislamiento" no requieren conectarse "a tierra". Estas herramientas tienen un sistema aislante que satisface los estándares de OSHA y llena los estándares aplicables de UL (Underwriters Laboratories), de la Asociación Canadiense de Estándares (CSA) y el Código Nacional de Electricidad. Las herramientas con doble aislamiento pueden ser usadas en cualquiera de los toma corriente de 120 Volt mostrados en las Figuras B y C.

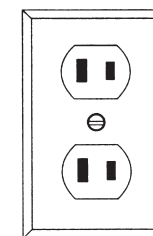


Fig. B

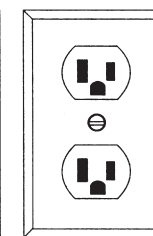


Fig. C

EXTENSIONES ELECTRICAS

Las herramientas que deben conectarse a tierra cuentan con clavijas de tres patas y requieren que las extensiones que se utilicen con ellas sean también de tres cables. Las herramientas con doble aislamiento y clavijas de dos patas pueden utilizarse indistintamente con extensiones de dos a tres cables. El calibre de la extensión depende de la distancia que exista entre la toma de la corriente y el sitio donde se utilice la herramienta. El uso de extensiones inadecuadas puede causar serias caídas en el voltaje, resultando en pérdida de potencia y posible daño a la herramienta. La tabla que aquí se ilustra sirve de guía para la adecuada selección de la extensión.

Mientras menor sea el número del calibre del cable, mayor será la capacidad del mismo. Por ejemplo, un cable calibre 14 puede transportar una corriente mayor que un cable calibre 16. Cuando use más de una extensión para lograr el largo deseado, asegúrese que cada una tenga al menos, el mínimo tamaño de cable requerido. Si está usando un cable de extensión para más de una herramienta, sume los amperes de las varias placas y use la suma para determinar el tamaño mínimo del cable de extensión.

Guías para el uso de cables de extensión

- Si está usando un cable de extensión en sitios al aire libre, asegúrese que está marcado con el sufijo "W-A" ("W" en Canadá) el cual indica que puede ser usado al aire libre.
- Asegúrese que su cable de extensión está correctamente cableado y en buenas condiciones eléctricas. Cambie siempre una extensión dañada o hágala reparar por una persona calificada antes de volver a usarla.
- Proteja su extensión eléctrica de objetos cortantes, calor excesivo o áreas mojadas.

Calibre mínimo recomendado para cables de extensiones eléctricas*

Amperios (En la placa)	Largo de cable de Extensión en (m)					
	7,6	15,2	22,8	30,4	45,7	60,9
0 - 5,0	16	16	16	14	12	12
5,1 - 8,0	16	16	14	12	10	--
8,1 - 12,0	14	14	12	10	--	--
12,1 - 15,0	12	12	10	10	--	--
15,1 - 20,0	10	10	10	--	--	--

* Basado en limitar la caída en el voltaje a 5 volts al 150% de los amperios.

LEA Y GUARDE TODAS LAS INSTRUCCIONES PARA FUTURAS REFERENCIAS.

ENSAMBLAJE DE LA HERRAMIENTA

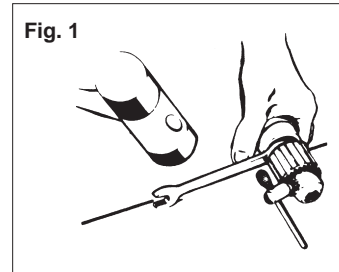


ADVERTENCIA

Para reducir el riesgo de una lesión, desconecte siempre la herramienta antes de fijar o retirar accesorios, o antes de efectuar ajustes. Utilice sólo los accesorios específicamente recomendados. El uso de otros accesorios puede ser peligroso.

Cambio del mandril (Fig. 1)

Fig. 1



1. Abra las mordazas del mandril completamente.
2. Extraiga el tornillo en el interior del cabezal del mandril. Este tornillo enrosca hacia la izquierda; gírelo en el sentido de las manecillas del reloj para extraerlo.
3. Sujete el husillo con una llave (Fig. 1).
4. Inserte la chaveta del portabrocas dentro del mandril y afloje en el sentido de las manecillas del reloj golpeando suavemente con un martillo de goma.

NOTA: Para instalar el mandril, invierta el orden de las instrucciones anteriores.



ADVERTENCIA

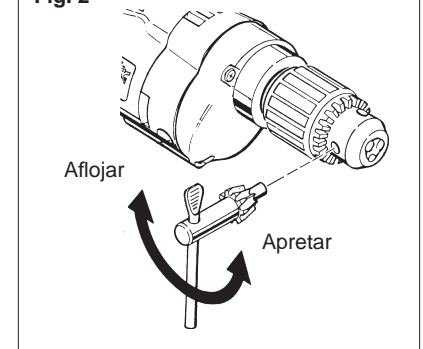
Para reducir una lesión personal, retire siempre la llave del broquero cada vez que termine de usarla.

Instalación de las brocas dentro de un mandril o broquero con llave (Fig. 2)

Asegúrese que tanto el zanco de la broca como las uñas del mandril están limpias. Partículas de suciedad pueden hacer que la broca quede mal alineada. No use brocas más grandes que las de la máxima capaci-

dad recomendada para este taladro porque se puede generar daño a los engranes o sobrecargar el motor. Para un mejor desempeño, asegúrese que las brocas están bien afiladas antes de usarlas.

Fig. 2



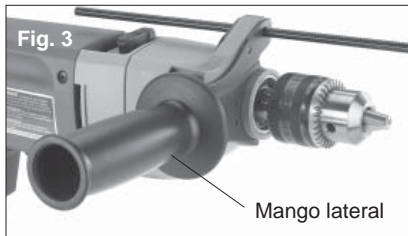
1. Desconecte la herramienta.
 2. Abra lo suficiente las uñas del broquero para insertar la broca. Permita que la broca llegue al fondo del broquero. Centre la broca en las uñas y apriete las uñas con la mano, con el objeto de alinear la broca.
 3. Coloque la llave en cada uno de los tres orificios del mandril, girándola en sentido de un reloj para apretar el broquero con firmeza.
- NOTA:** para apretar o aflojar el broquero, nunca use una llave o cuña diferente a la llave de mismo broquero.
4. Para quitar la broca, inserte la llave en uno de los orificios del broquero y gírela en sentido inverso a un reloj.



ADVERTENCIA

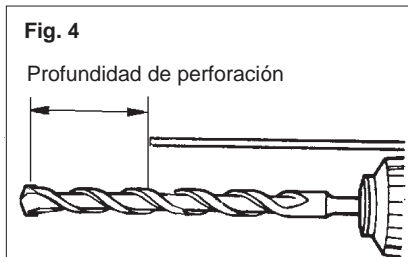
Para reducir el riesgo de lesiones, use siempre un mango lateral al operar la herramienta. Siempre agarre o sujete la herramienta firmemente.

Agarre del mango lateral



1. Afloje el mango lateral desenroscando el agarre del mango lateral hasta que el mango lateral gire libremente.
2. Gire el mango lateral a la posición deseada.
3. Apriete el agarre del mango lateral de forma segura.

Cómo colocar el medidor de profundidad (Fig. 4)



1. Oprima la palanca de fijación.
2. Deslice el vástago del medidor de profundidad hacia atrás o hacia adelante hasta que quede ajustado en la profundidad deseada.

NOTA: La profundidad de taladrado es la distancia entre la punta de la broca y la punta del vástago del medidor de seguridad.

3. Suelte la palanca de fijación.

OPERACION

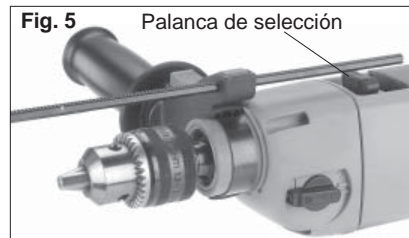


ADVERTENCIA

Para reducir el riesgo de una lesión, use siempre lentes de seguridad o anteojos con protectores laterales. Desconecte la herramienta antes de cambiar algún accesorio o de hacerle algún ajuste.

Cómo seleccionar la acción (Fig. 5)

El taladro de martillo de **MILWAUKEE** tiene dos posiciones: perforación y perforación con efecto de martillo.

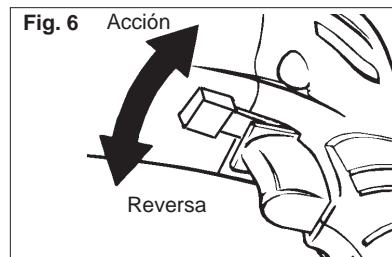


1. Para **perforar**, gire la palanca de taladro-martillo que está cerca de este taladro.
2. Para el **martillar con efecto rotatorio**, gire la palanca de taladro-martillo de modo que esté cerca del martillo.

NOTA: Para activar el mecanismo de martillo, mantenga la presión sobre la broca. Cuando se libere la presión sobre la broca, la acción del martillo se detendrá.

Interruptor de avance y reversa (Fig. 6)

El interruptor de avance y reversa sólo se puede ajustar cuando el gatillo no está presionado. Siempre espere a que el motor esté completamente detenido antes de usar el interruptor de avance y reversa.



1. Para una rotación **positiva** (en el sentido de las manecillas de un reloj), empuje el interruptor de acción-reversa hasta la posición izquierda (vista desde la parte de atrás de la herramienta), como se ilustra.
2. Para acción de **reversa** (en el sentido opuesto a las manecillas de un reloj), empuje el interruptor hasta la posición derecha (vista desde la parte de atrás de la herramienta), como se ilustra. Siempre espere que el motor esté completamente parado para hacer el cambio a reversa.

NOTA: Al utilizar el taladro de percusión, hágalo con la herramienta en el modo de rotación hacia adelante (en el sentido de las manecillas del reloj) únicamente.

Cómo seleccionar la velocidad

La velocidad se puede modificar cuando la herramienta se ha detenido por completo o está trabajando sin carga.

1. Para velocidad **baja** (hasta 1 350 RPM), empuje el selector de velocidad hacia posición 1.
2. Para velocidad **alta** (hasta 2 500 RPM), empuje el selector de velocidad hacia posición 2.

Encender, detener y controlar velocidades

1. Para **encender** la herramienta, oprima el gatillo.
2. Para **detener** la herramienta, libere el gatillo.
3. Para cambiar la velocidad, simplemente aumente o disminuya la presión sobre el gatillo. Entre más presión en el gatillo, mayor será la velocidad.

Operación

Coloque la unidad en posición, tome los mangos firmemente y accione el gatillo. Siempre mantenga firme la herramienta usando ambas manos y manteniendo el control. Se ha diseñado esta herramienta para proporcionar el mejor rendimiento con presión moderada. Es la herramienta que debe realizar el trabajo.

Si la velocidad empieza a disminuir cuando se perfora agujeros profundos, saque la broca parcialmente del agujero mientras está funcionando la herramienta para quitar el polvo. No utilice agua para hacer que el polvo se deposite ya que éste obstaculizará las ranuras de broca y hará que la broca se atore en el agujero.

APLICACIONES



ADVERTENCIA

Para reducir el riesgo de una descarga eléctrica, antes de empezar la operación, inspeccione el área de trabajo buscando tuberías o cables no visibles.

Cómo taladrar en madera, materiales compuestos y plásticos

Al taladrar en madera, materiales compuestos o plásticos, seleccione el modo de operación del taladro de percusión. Comience lentamente, aumentando gradualmente la velocidad, a medida que taladra. Cuando trabaje con plásticos, seleccione una velocidad baja con un punto de fusión.

Perforando en metal

Cuando taladre en metal, seleccione el modo de operación del taladro de percusión. Use brocas de acero alta velocidad o brocas sierras. Cuando taladre en metal, use una marca guía para iniciar la perforación. Lubrique las brocas con aceite cuando taladre en acero o hierro. Use un refrigerante cuando taladre metales no ferrosos como cobre, latón o aluminio. Ponga un respaldo en el material para prevenir que este se doble o distorsione al terminar el taladrado.

Cómo perforar el concreto

Cuando taladre en concreto, seleccione el modo de operación de martillo perforador. Utilice una velocidad alta y brocas con punta de carburo. Taladrar materiales suaves como bloques de hormigón de escorias, requiere de muy poca presión. Materiales duros como el concreto, requieren más presión. La forma de saber si se está perforando a un ritmo adecuado viene dada por un flujo parejo y suave de polvo. No permita que la broca gire en el agujero sin cortar. No intente perforar varillas de refuerzo de acero. Ambas acciones dañarán el carburo.

MANTENIMIENTO



ADVERTENCIA

Para reducir el riesgo de lesiones, desconecte siempre la herramienta antes de darle cualquier mantenimiento. Nunca desarme la herramienta ni trate de hacer modificaciones en el sistema eléctrico de la misma. Acuda siempre a un Centro de Servicio **MILWAUKEE** para **TODAS** las reparaciones.

Mantenimiento de las herramientas

Adopte un programa regular de mantenimiento y mantenga su herramienta en buenas condiciones. Antes de usarla, examine las condiciones generales de la misma. Inspeccione guardas, interruptores, el cable de la herramienta y el cable de extensión. Busque tornillos sueltos o flojos, defectos de alineación y dobleces en partes móviles, así como montajes inadecuados, partes rotas y cualquier otra condición que pueda afectar una operación segura. Si detecta ruidos o vibraciones anormales, apague la herramienta de inmediato y corrija el problema antes de volver a usarla. No utilice una herramienta dañada. Colóquela una etiqueta que diga "NO DEBE USARSE" hasta que sea reparada (vea "Reparaciones").

Bajo condiciones normales, no se requiere lubricación hasta que haya que cambiar los carbones. Después de 6 meses a un año, dependiendo del uso dado, envíe su herramienta al Centro de Servicio **MILWAUKEE** más cercano para que le hagan:

- Lubricación
- Inspección y cambio de carbones
- Inspección mecánica y limpieza (engranes, flechas, baleros, carcarza, etc.)
- Inspección eléctrica (interruptor, cable, armadura, etc.)
- Probarla para asegurar una operación mecánica y eléctrica adecuada.



ADVERTENCIA

Para reducir el riesgo de lesiones, descarga eléctrica o daño a la herramienta, nunca la sumerja en líquidos ni permita que estos fluyan dentro de la misma.

Limpieza

Limpie el polvo y suciedad de las ventilas. Mantenga las empuñaduras de la herramienta limpias, secas y libres de aceite y grasa. Use sólo jabón neutro y un trapo húmedo para limpiar su herramienta ya que algunas sustancias y disolventes limpiadores pueden ocasionar daños a materiales plásticos y partes aislantes. Algunos de estos incluyen: gasolina, trementina, diluyente para barniz, diluyente para pintura, disolventes limpiadores clorados, amoníaco, y detergentes caseros que contengan amoníaco.

Reparaciones

Si su instrumento se daña, vuelva el instrumento entero al más cercano centro de reparaciones.

ACCESORIOS



ADVERTENCIA

Para reducir el riesgo de lesiones, desconecte siempre su herramienta antes de colocar o retirar un accesorio. Use solo accesorios recomendados específicamente. Otros pueden ser peligrosos.

Para una lista completa de accesorios, refiérase a su catálogo **MILWAUKEE Electric Tool** o visite nuestro sitio en Internet: www.milwaukeetool.com. Para obtener un catálogo, contacte su distribuidor local o uno de los centros.

Mango lateral

Cat. No. 49-15-5300

GARANTÍA LIMITADA DE CINCO AÑOS

Todas las herramientas **MILWAUKEE** se prueban antes de abandonar la fábrica y se garantiza que no presentan defectos ni en el material ni de mano de obra. En el plazo de cinco (5) años a partir de la fecha de compra **MILWAUKEE** reparará o reemplazará (a discreción de **MILWAUKEE**), sin cargo alguno, cualquier herramienta (cargadores de baterías inclusive) cuyo examen determine que presenta defectos de material o de mano de obra. Devuelva la herramienta, con gastos de envío prepagados y asegurada, y una copia de la factura de compra, u otro tipo de comprobante de compra, a una sucursal de reparaciones/ventas de la fábrica **MILWAUKEE** o a un centro de reparaciones autorizado por **MILWAUKEE**. Esta garantía no cubre los daños ocasionados por reparaciones o intentos de reparación por parte de personal no autorizado por **MILWAUKEE**, abuso, desgaste y deterioro normal, falta de mantenimiento o accidentes.

El período de garantía para las baterías V28 es de dos (2) años a partir de la fecha de compra. El período de garantía para las baterías Ni-Cd, linternas, radios y polipastos es de un (1) año a partir de la fecha de compra.

LOS DERECHOS A REPARACIÓN Y REEMPLAZO DESCRITOS EN EL PRESENTE DOCUMENTO SON EXCLUSIVOS. **MILWAUKEE** NO SERÁ EN NINGÚN CASO RESPONSABLE DE DAÑOS INCIDENTALES, ESPECIALES O CONSECUENTES, INCLUYENDO LA PÉRDIDA DE GANANCIAS.

ESTA GARANTÍA ES EXCLUSIVA Y SUSTITUYE A TODA OTRA GARANTÍA, O CONDICIONES, ESCRITAS U ORALES, EXPRESAS O IMPLÍCITAS DE COMERCIALIZACIÓN O IDONEIDAD PARA UN USO O FIN DETERMINADO.

Esta garantía le proporciona derechos legales específicos. Es posible que usted tenga otros derechos que varían de estado a estado y de provincia a provincia. En aquellos estados que no permiten la exclusión de garantías implícitas o la limitación de daños incidentales o consecuentes, las limitaciones anteriores pueden que no apliquen. Esta garantía es válida solamente en los Estados Unidos, Canadá y México.

UNITED STATES - MILWAUKEE Service

MILWAUKEE prides itself in producing a premium quality product that is NOTHING BUT HEAVY DUTY®. Your satisfaction with our products is very important to us!

If you encounter any problems with the operation of this tool, or you would like to locate the *factory Service/Sales Support Branch* or *authorized service station*

nearest you, please call...

1-800-SAWDUST

(1.800.729.3878)

NATIONWIDE TOLL FREE

Monday-Friday • 8:00 AM - 4:30 PM • Central Time

or visit our website at

www.milwaukeetool.com

For service information, use the 'Service Center Search' icon found in the 'Parts & Service' section.

Additionally, we have a nationwide network of *authorized* Distributors ready to assist you with your tool and accessory needs. Check your "Yellow Pages" phone directory under "Tools-Electric" for the names & addresses of those nearest you or see the 'Where To Buy' section of our website.

Corporate After Sales Service - Technical Support
Brookfield, Wisconsin USA

•Technical Questions •Service/Repair Questions •Warranty

1-800-SAWDUST

(1.800.729.3878) fax: 1.800.638.9582

email: metproductsupport@milwaukeetool.com

Monday-Friday • 8:00 AM - 4:30 PM • Central Time

Canada - Service MILWAUKEE

MILWAUKEE est fier de proposer un produit de première qualité NOTHING BUT HEAVY DUTY®. Votre satisfaction est ce qui compte le plus!

En cas de problèmes d'utilisation de l'outil ou pour localiser le centre de service/ventes ou le *centre d'entretien* le plus proche, appelez le...

416.439.4181

fax: 416.439.6210

Milwaukee Electric Tool (Canada) Ltd

755 Progress Avenue
Scarborough, Ontario M1H 2W7

Notre réseau national de distributeurs *agréés* se tient à votre disposition pour fournir l'aide technique, l'outillage et les accessoires nécessaires. Composez le 416.439.4181 pour obtenir les noms et adresses des revendeurs les plus proches ou bien consultez la section «Où acheter» sur notre site web à l'adresse

www.milwaukeetool.com

MEXICO - Soporte de Servicio MILWAUKEE

Milwaukee Electric Tool, S.A. de C.V.

Blvd. Abraham Lincoln no. 13

Colonia Los Reyes Zona Industrial

Tlalnepanitla, Edo. México C.P. 54073

Tel. (55) 5565-1414 Fax: (55) 5565-6874

Adicionalmente, tenemos una red nacional de distribuidores *autorizados* listos para ayudarle con su herramienta y sus accesorios. Por favor, llame al (55) 5565-1414 para obtener los nombres y direcciones de los más cercanos a usted, o consulte la sección 'Where to buy' (Dónde comprar) de nuestro sitio web en

www.milwaukeetool.com

MILWAUKEE ELECTRIC TOOL CORPORATION

13135 West Lisbon Road • Brookfield, Wisconsin, U.S.A. 53005